

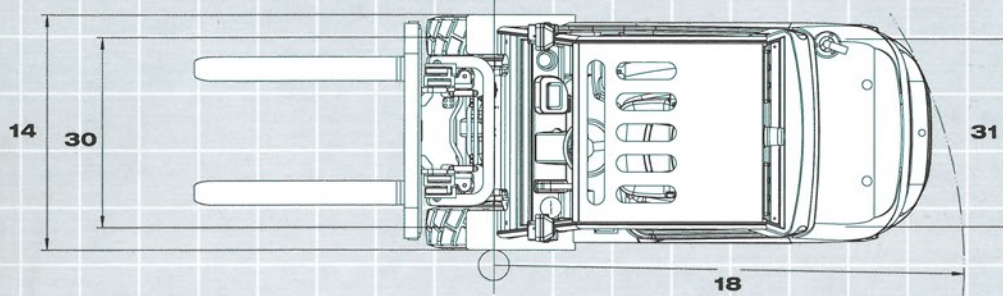
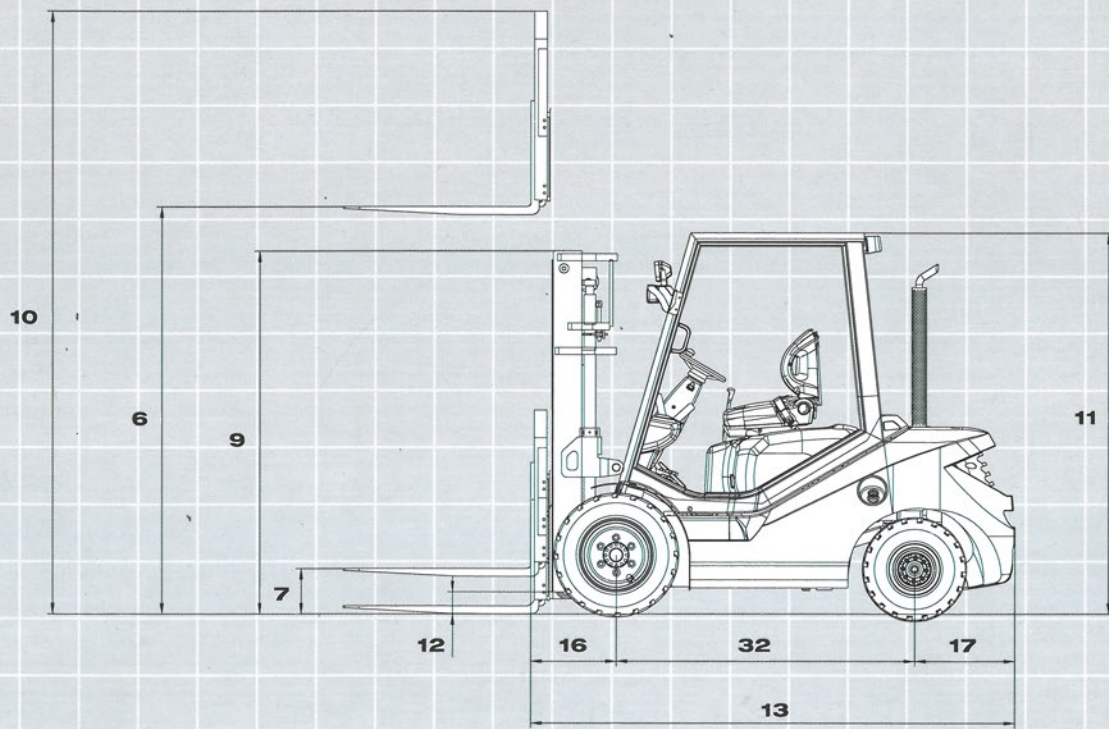
GENERAL	1	Manufacturer	RY	RY	RY	RY	RY	RY	RY	RY	RY	RY	RY	RY	RY	RY			
	2	Model	C20J	C25J	C30J	C35D	C20F	C25F	C30F	C20E	C25E	C30E	C35E	C20HG (C20H)	C25HG (C25H)	C30HG (C30H)	C35HG (C35H)		
	3	Power Type	Diesel	Diesel	Diesel	Diesel	Diesel	Diesel	Diesel	Diesel	Diesel	Diesel	Diesel	Gasoline/LPG		Gasoline/LPG			
	4	Rated Load Capacity	kg	2000	2500	3000	3500	2000	2500	3000	2000	2500	3000	3500	2000	2500	3000	3500	
	5	Load Centre	mm	500	500	500	500	500	500	500	500	500	500	500	500	500	500	500	
CHARACTERISTIC & DIMENSION	6	Rated Lift Height	mm	3000	3000	3000	3000	3000	3000	3000	3000	3000	3000	3000	3000	3000	3000		
	7	Free Lift Height	mm	140	140	145	150	140	140	145	140	140	145	150	140	140	145	150	
	8	Mast Tilt Angle (F/R, $\alpha^{\circ} / \beta^{\circ}$)	Deg	6°/12°	6°/12°	6°/12°	6°/12°	6°/12°	6°/12°	6°/12°	6°/12°	6°/12°	6°/12°	6°/12°	6°/12°	6°/12°	6°/12°	6°/12°	
	9	Mast Lowered Height	mm	2045	2045	2060	2060	2045	2045	2060	2045	2045	2060	2060	2045	2045	2060	2060	
	10	Mast Extended Height (With Backrest)	mm	4145	4145	4160	4160	4145	4145	4160	4145	4145	4160	4160	4145	4145	4160	4160	
	11	Overhead Guard Height	mm	2180	2180	2192	2192	2180	2180	2192	2180	2180	2192	2192	2180	2180	2192	2192	
	12	Ground Clearance (Bottom of Mast)	mm	130	130	145	145	130	130	145	130	130	145	145	130	130	145	145	
	13	Length to Face of Fork (Without Fork)	mm	2625	2625	2716	2780	2625	2625	2716	2625	2625	2716	2780	2625	2625	2716	2780	
	14	Overall Width	mm	1150	1150	1225	1225	1150	1150	1225	1150	1150	1225	1225	1150	1150	1225	1225	
	15	Fork Size (LxWxT)	mm	1070x125x40	1070x125x40	1070x125x45	1070x125x45	1070x125x40	1070x125x40	1070x125x45	1070x125x40	1070x125x40	1070x125x45	1070x125x45	1070x125x40	1070x125x40	1070x125x45		
	16	Fork Overhang (Wheel Center to Fork Face)	mm	473	473	478	478	473	473	478	473	473	478	478	473	473	478	478	
	17	Rear Overhang	mm	508	508	578	642	508	508	578	508	508	578	642	508	508	578	642	
	18	Turning Radius (Outside)	mm	2315	2315	2420	2490	2315	2315	2420	2315	2315	2420	2490	2315	2315	2420	2490	
	19	Working Aisle With Pallet(Ast)*, 1000x1200 Crossway	mm	4010	4010	4120	4190	4010	4010	4120	4010	4010	4120	4190	4010	4010	4120	4190	
PERFORMANCE	20	Travel Speed (No Load)	km/h	20	20	20	20	20	20	20	20	20	20	20	20	20	20		
	21	Travel Speed (Full Load)	km/h	19	19	18.5	18.5	19	19	18.5	19	19	18.5	18.5	19	19	18.5	18.5	
	22	Lifting Speed (Full Load)	mm/sec	510	510	430	400	510	510	410	510	510	430	400	490	490	390	360	
	23	Lowering Speed (Full Load)	mm/sec	450	450	450	450	450	450	450	450	450	450	450	450	450	450	450	
	24	Max.Drawbar Pull (Full Load)	KN	17(14.5)	17(14.5)	16(15.7)	24(19.5)	17(13.7)	17(13.7)	18.5(14.8)	17(13.5)	17(13.5)	16(15.7)	24(19.5)	22(18)	22(18)	22(18)	22(18)	
	25	Max.Gradeability (Full Load)	%	20	20	20	20	20	20	20	20	20	20	20	20	20	20	18	
	26	Service Brake (Operation/Control)		Foot/Powershift				Foot/Powershift				Foot/Powershift				Foot/Powershift			
27	Parking Brake (Operation/Control)		Hand/Mechanical				Hand/Mechanical				Hand/Mechanical				Hand/M. chanical				
CHASSIS	28	Tyre (Front x 2)	mm	7.00-12-12PR		28x9-15-12PR		7.00-12-12PR		28x9-15-12PR		7.00-12-12PR		28x9-15-12PR		7.00-12-12PR		28x9-15-12PR	
	29	Tyre (Rear x 2)	mm	6.00-9-10PR		6.50-10-10PR		6.00-9-10PR		6.50-10-10PR		6.00-9-10PR		6.50-10-10PR		6.00-9-10PR		6.50-10-10PR	
	30	Front Tread	mm	970	970	1000	1000	970	970	1000	970	970	1000	1000	970	970	1000	1000	
	31	Rear Tread	mm	980	980	980	980	980	980	980	980	980	980	980	980	980	980	980	
	32	Wheelbase	mm	1650	1650	1700	1700	1650	1650	1700	1650	1650	1700	1700	1650	1650	1700	1700	
WEIGHT	33	Total Weight	kg	3450	3620	4310	4750	3450	3620	4310	3450	3620	4310	4750	3450	3620	4310	4750	
	34	Front Axle Weight Distribution (Full Load)	kg	4856	5372	6490	7320	4856	5372	6490	4856	5372	6490	7320	4856	5372	6490	7320	
	35	Rear Axle Weight Distribution (Full Load)	kg	594	748	820	930	594	748	820	594	748	820	930	594	748	820	930	
	36	Front Axle Weight Distribution (No Load)	kg	1507	1492	1764	2040	1507	1492	1764	1507	1492	1764	2040	1507	1492	1764	2040	
	37	Rear Axle Weight Distribution (No Load)	kg	1943	2128	2546	2710	1943	2128	2546	1943	2128	2546	2710	1943	2128	2546	2710	
POWER & TRANSMISSION	38	Battery	V/Ah	12/90	12/90	12/90	12/90	12/90	12/90	12/90	12/90	12/90	12/90	12/60	12/60	12/60	12/60		
	39	Engine Model		C490BPG (Eu III)			A498 (Eu III)	C240PKJ30 (Eu III)			S4S(Eu III)			K25	K25	K25	K25		
	40	Engine Manufacturer		XINCHAI			XINCHAI	ISUZU			MITSUBISHI			NISSAN					
	41	Rated Output / r.p.m.	kw	37/2650			45/2550	34.5/2500			41.8/2300			44.2/2500					
	42	Rated Torque / r.p.m.	N·m	148/1800-1900			195 /1600-1800	139/1800			182/1800			186.2/1600					
	43	No.of Cylinder		4	4	4	4	4	4	4	4	4	4	4	4	4	4		
	44	Bore x Stroke	mm	90x100	90x100	90x100	98x110	86x102	86x102	86x102	94x120	94x120	94x120	94x120	92x93	92x93	92x93	92x93	
	45	Displacement	cc	2540	2540	2540	3168	2368	2368	2368	3331	3331	3331	3331	2472	2472	2472	2472	
	46	Fuel Tank Capacity	L	50	50	50	50	50	50	50	50	50	50	50	50	50	50	50	
	47	Transmission Type		Powershift		Powershift		Powershift		Powershift		Powershift		Powershift		Powershift			
	48	Transmission Stage (FWD/RVS)		1/1(2/2)	1/1(2/2)	1/1(2/2)	1/1(2/2)	1/1(2/2)	1/1(2/2)	1/1(2/2)	1/1(2/2)	1/1(2/2)	1/1(2/2)	1/1(2/2)	1/1(2/2)	1/1(2/2)	1/1(2/2)	1/1(2/2)	
	49	Operating Pressure (For Attachments)	Mpa	17.5	17.5	17.5	17.5	17.5	17.5	17.5	17.5	17.5	17.5	17.5	17.5	17.5	17.5	17.5	

MAST TYPE	MAST NAME	MAX. FORK HEIGHT (mm)	LOAD CAPACITY (LOAD CENTRE 500mm) (kg)							
			C20	C20 (Double Tyre)	C25	C25 (Double Tyre)	C30	C30 (Double Tyre)	C35	C35 (Double Tyre)
			2-Stage Wide View Mast	M300	3000	2000	2500	3000	3500	
	M330	3300	2000	2500	3000	3500				
	M350	3500	2000	2500	3000	3500				
	M400	4000	2000	2450	2950	3250				
	M450	4500	1800	*1900	2000	*2400	2600	*2900	2900	*3000
	M500	5000	1300	*1700	1600	*2100	2200	*2550	2400	*2800
	M550	5500	1100	*1500	1350	*1700	2000	*2400	2200	*2600
	M600	6000	950	*1300	1050	*1500	1500	*2000	1600	*2400
2-Stage Full Free Wide View Mast	FM300	3000		2000		2500		3000		3500
	FM330	3300		2000		2500		3000		3500
	FM350	3500		2000		2500		3000		3500
	FM370	3700		2000		2500		3000		3500
	FM400	4000		2000		2500		3000	3250	*3500
3-Stage Full Free Wide View Mast	TFM430	4300	1850	*1900	2200	*2400	2800	*2900	3000	*3350
	TFM450	4500	1700	*1800	2000	*2300	2600	*2800	2800	*3200
	TFM470	4700	1600	*1750	1900	*2200	2400	*2700	2500	*3000
	TFM500	5000	1400	*1600	1500	*2000	2100	*2400	2300	*2800
	TFM550	5500	1100	*1500	1200	*1800	1600	*2250	1800	*2550
	TFM600	6000	800	*1400	850	*1600	1200	*2100	1300	*2300

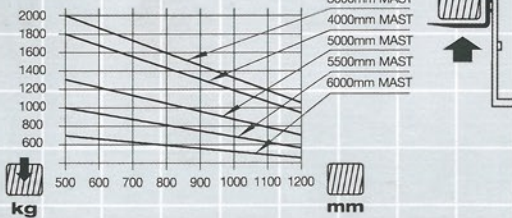
MAST TYPE	MAST NAME	OVERALL HEIGHT (mm)				TILT ANGLE (SINGLE)	TILT ANGLE (DOUBLE)		
		LOWERED	EXTENDED		LOWERED			EXTENDED	
			WITH/WITHOUT BACKREST					WITH/WITHOUT BACKREST	
2-Stage Wide View Mast	M300	2045	3665 / 4145		2060	3680 / 4160		6-12	
	M330	2195	3965 / 4445		2210	3980 / 4460		6-12	
	M350	2295	4165 / 4645		2310	4180 / 4660		6-12	
	M400	2595	4665 / 5145		2610	4680 / 5160		6-6	*6-12
	M450	2840	5165 / 5645		2860	5180 / 5660		6-6	*6-12
	M500	3145	5665 / 6145		3160	5680 / 6160		6-6	*6-6
	M550	3395	6165 / 6645		3410	6180 / 6660		3-6	*3-6
	M600	3645	6665 / 7145		3660	6680 / 7160		3-6	*3-6
2-Stage Full Free Wide View Mast	FM300	2045	3675 / 4160		2060	3690 / 4175		6-12	
	FM330	2195	3975 / 4460		2210	3990 / 4475		6-12	
	FM350	2295	4175 / 4660		2310	4190 / 4675		6-12	
	FM370	2395	4375 / 4860		2410	4390 / 4875		6-6	
	FM400	2595	4675 / 5160		2610	4690 / 5175		6-6	*6-12
3-Stage Full Free Wide View Mast	TFM430	2010	5030 / 5510		2025	5045 / 5525		6-6	*6-6
	TFM450	2120	5180 / 5660		2135	5195 / 5675		6-6	*6-6
	TFM470	2160	5380 / 5860		2175	5395 / 5875		6-6	*6-6
	TFM500	2260	5680 / 6160		2275	5695 / 6175		6-6	*6-6
	TFM550	2440	6080 / 6560		2455	6095 / 6575		3-6	*3-6
	TFM600	2660	6680 / 7160		2675	6695 / 7172		3-6	*3-6

MAST TYPE	MAST NAME	FREE LIFT (mm)			TOTAL WEIGHT (kg)			
		WITH/WITHOUT BACKREST	WITH/WITHOUT BACKREST	WITH/WITHOUT BACKREST	C20	C25	C30	C35
2-Stage Wide View Mast	M300	140 / 140	145 / 145	150 / 150	3450	3620	4310	4750
	M330	140 / 140	145 / 145	150 / 150	3475	3645	4330	4770
	M350	140 / 140	145 / 145	150 / 150	3490	3660	4345	4790
	M400	140 / 140	145 / 145	150 / 150	3530	3705	4410	4840
	M450	140 / 140	145 / 145	150 / 150	3570	3760	4460	4880
	M500	140 / 140	145 / 145	150 / 150	3610	3800	4510	4920
	M550	140 / 140	145 / 145	150 / 150	3650	3850	4560	4960
	M600	140 / 140	145 / 145	150 / 150	3690	3900	4600	5000
2-Stage Full Free Wide View Mast	FM300	1465 / 930	1425 / 945	1425 / 945	3490	3635	4335	4780
	FM330	1615 / 1080	1575 / 1095	1575 / 1095	3515	3655	4355	4800
	FM350	1715 / 1180	1675 / 1195	1675 / 1195	3530	3670	4380	4820
	FM370	1815 / 1285	1775 / 1295	1775 / 1295	3545	3690	4405	4840
	FM400	2065 / 1535	2025 / 1545	1975 / 1495	3570	3725	4440	4870
3-Stage Full Free Wide View Mast	TFM430	1440 / 1040	1445 / 940	1450 / 945	3590	3890	4460	4860
	TFM450	1500 / 1090	1525 / 995	1530 / 1000	3600	3910	4480	4880
	TFM470	1550 / 1140	1575 / 1045	1580 / 1050	3630	3930	4490	4950
	TFM500	1650 / 1240	1675 / 1145	1680 / 1150	3670	3980	4555	5020
	TFM550	1850 / 1440	1855 / 1345	1860 / 1350	3710	4020	4600	5070
	TFM600	2050 / 1640	2040 / 1545	2045 / 1550	3750	4065	4650	5120

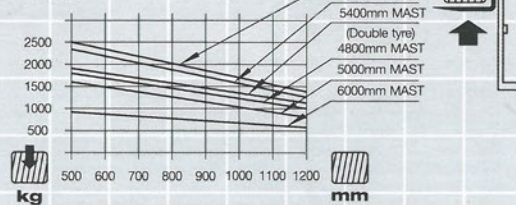
Notice: 1. With side shifter, load capacity subtract 200Kg.
2. * (Asterisk) is for double front wheels model.



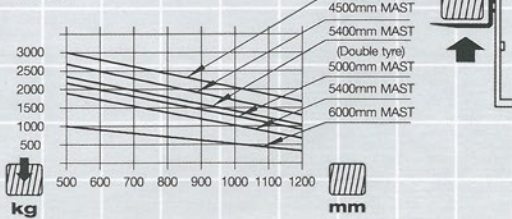
C20



C25



C30



C35

