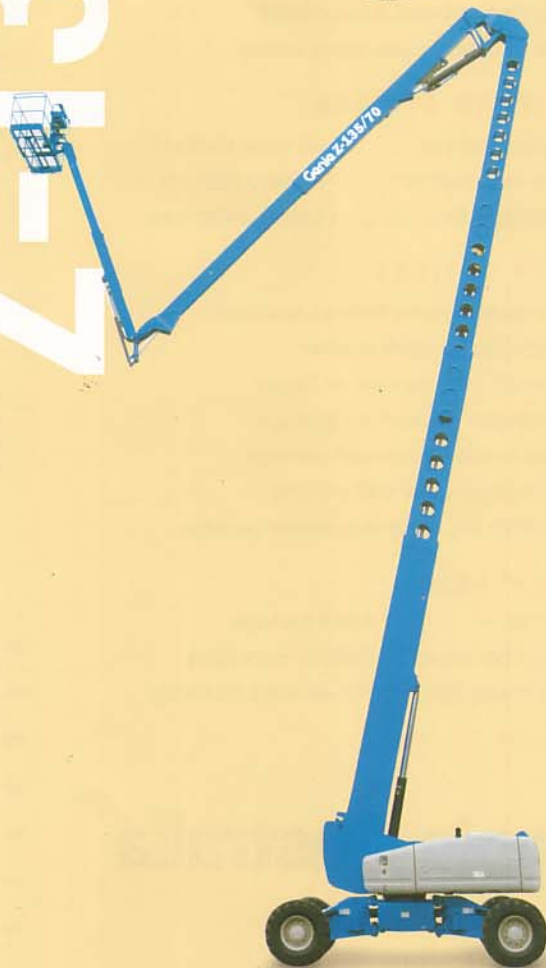
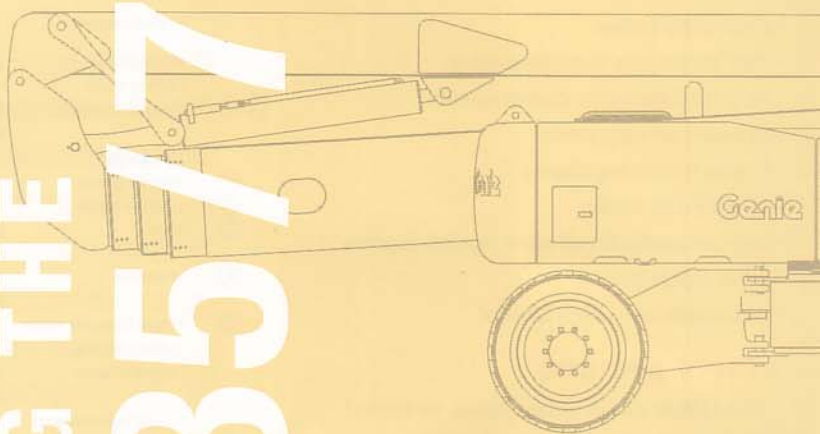


SELF-PROPELLED BOOM | Z-135/70

Genie® Australia
A TEREX COMPANY



INTRODUCING THE
Z-135/70



STANDARD FEATURES

- 141 ft (43.15 m) working height
- 69 ft 9 in (21.26 m) horizontal reach
- 12 to 20 ft (3.7 to 6.1 m) JIB-EXTEND™ extendable jib boom
- 8 ft (2.44 m) self-leveling steel platform
- X-Chassis™ extendable axles operated from platform
- Full-time positive traction 4WD
- Four-wheel high angle steer
- Four steering modes: front only, rear only, crab and coordinated
- Four-wheel brakes
- 360° continuous turntable rotation
- ALC 1000 electronic control system
- Onboard full diagnostics
- Engine monitoring display
- Hydraulic oil cooler
- Fully proportional Hall effect joystick controls
- Drive enable system
- Adjustable foot switch timeout

ENGINE OPTIONS

- 78 hp Deutz diesel, turbocharged, air-cooled
- 86 hp Perkins diesel, water-cooled
- 80 hp Cummins diesel, water-cooled

PLATFORM OPTIONS

- 6 ft steel platform
- Half mesh platform
- 8 ft tri-entry platform
- Air line to platform
- Auxiliary platform railing
- Platform swing gate

OTHER OPTIONS

- Diesel spark arrestor (without scrubber)
- Diesel scrubber/spark arrester (Cummins only, standard on Deutz)
- Basic hostile environment package
- Deluxe hostile environment package
- 5000 watt generator (240 V/50 Hz)
- ARC PRO 275 heavy-duty welder package

ACCESSORIES

- Tool tray
- Alarm package
- Control box cover
- Platform work lights
- Front driving lights
- Fluorescent tube caddy

Genie Australia
A TEREX COMPANY

www.genieindustries.com

Genie Australia

591 Boundary Road, Darra Qld 4076
PO Box 394, Richlands Qld 4077
Telephone 07 3375 1660

Toll Free in Australia 1800 331 660

Fax 07 3375 1002

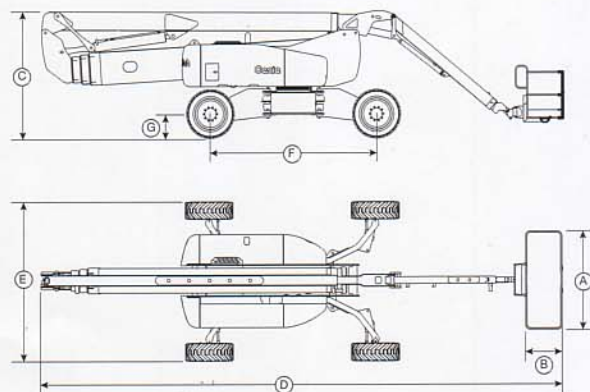
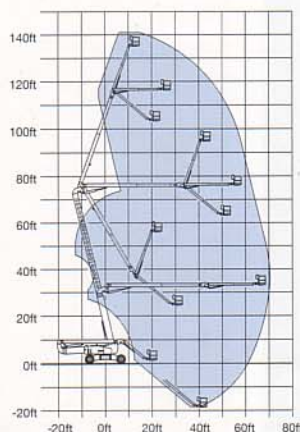
SELF-PROPELLED ARTICULATING BOOM | Z™-135/70

Introducing the Z™-135/70, the latest addition to the world class line up of Genie Z™-Booms. This new articulating Z™ boom offers industry-leading versatility. It features a maximum platform height of 135 ft (41 m), 69 ft 9 in (21.3 m) of horizontal outreach, and an incredible 75 ft 6 in (23 m) of up-and-over clearance. The distinctive new JIB-EXTEND™ provides exceptional access by extending from a stowed length of 12 ft (3.7 m) to 20 ft (6.1 m). This new design provides access to "up, over and in" applications inaccessible by a traditional jib. The new exclusive (patent pending) X-Chassis™ axle configuration revolutionizes the mechanism for extending and retracting the axles to and from the stowed position.

Specifications	U.S.	Metric
Working Height	141 ft	43.15 m
Platform Height	135 ft	41.15 m
(A) (B) Platform Dimensions	6 ft 8 ft	183 x 76 cm 244 x 91 cm
Lift Capacity	600 lbs	272 kg
(C) Height – stowed	10 ft 1 in	3.07 m
(D) Length – stowed	42 ft 5 in	12.93 m
(E) Width	axles extended axles retracted	12 ft 11 in 8 ft 1 in
(F) Wheelbase	axles extended axles retracted	13 ft 6 in 15 ft 6 in
(G) Ground Clearance, center	20 in	51 m
Platform Rotation	160°	
Horizontal Reach	riser extended riser retracted	59 ft 2 in 69 ft 9 in
Up-and-Over Clearance	riser extended riser retracted	75 ft 6 in 32 ft 6 in
Below Grade Reach	18 ft 4 in	5.59 m
Turntable Rotation	360° continuous rotation	
Turntable Tailswing	axles extended riser down	31 in 14 ft
Inside Turning Radius	axles extended axles retracted	7 ft 6 in 18 ft 1 in
Outside Turning Radius	axles extended axles retracted	18 ft 6 in 25 ft 6 in
Drive Speed - stowed	3 mph	4.83 km/h
Gradeability*	45%	
Controls	12 V proportional controls	
Tires	445/65 D22.5 18 ply foam-filled	
Power Source	Cummins B4.5L 4-cylinder diesel, 80 hp (59.7 kW) Perkins 1104C-44 4-cylinder diesel, 86 hp (64 kW) Deutz BF4L2011 4-cylinder diesel, 78 hp (58.1 kW)	
Auxiliary Power System	12 V DC	
Fuel Tank Capacity	40 gal	151.4 L
Hydraulic Tank Capacity	65 gal	246.1 L
Weight (base unit)**	44,654 lbs	20,255 kg

*Gradeability applies to driving on slopes. See operators manual for details regarding slope rating.

**Weight will vary depending on options and/or country standards.



For further information, please contact your local distributor or the Genie Industries sales office listed. Continuous improvement of our products is a Genie policy. Product specifications are subject to change without notice or obligation. The photographs and drawings in this brochure are for illustrative purposes only. Refer to the appropriate Operator's Manual for instructions on the proper use of this equipment. Failure to follow the appropriate Operator's Manual when using our equipment or to otherwise act irresponsibly may result in serious injury or death. Prices and specifications subject to change without notice. The only warranty applicable is the standard written warranty.