

Rough Terrain Self-Propelled Articulating Boom

Z-45/25 RT
Z-45/25J RT



The advanced boom design that puts it all within reach.



Genie Industries

Make short work of big jobs.

With an extended reach, models with jibs and a variety of new performance features, the Z-45/25 handles the most challenging high-reach jobs. The added front oscillating axle lets you manoeuvre in the most rugged terrain, with excellent speed and gradeability. Options include diesel or Gas/LPG power and two- or four-wheel drive. Oscillating axles are standard with four-wheel drive and optional with two-wheel drive.

Quick and Manoeuvrable

The Z-45/25's enhanced design helps get you where you need to go, quickly and easily. The multi-function manifold has the capability to raise the platform to full height in only 45 seconds. The new 1.37 m (4 ft 6 in) turn radius delivers excellent manoeuvrability. Z-45/25J models with a 1.52 m (5 ft) articulating jib are also available to provide a 135° range of motion.

Unsurpassed Speed and Gradeability

4x2 The fastest boom in its class. Travels 7.7 km/h (4.8 mph) with 30% gradeability.

4x4 Features top speed of 7.7 km/h (4.8 mph) with 45% gradeability.

Dual Parallelogram Riser

Advanced design allows ascent and descent along a vertical plane with or without retraction or extension of the boom.

Large Platform with Hydraulic Rotation

The standard 1.83 m (6 ft) all-steel platform lifts up to 227 kg (500 lb). Dimensions of 76 cm x 1.83 m (30 x 72 in) allow ample space for two workers and their tools. Platform features a 180° hydraulic rotation for the Z-45/25 and a 160° hydraulic rotation for the Z45-25J. It also includes automatic platform levelling with a manual hydraulic override system and an AC power outlet. Platform options available in 1.22 and 1.52 m (4 and 5 ft) dimensions.

Drive Enable System

Informs operator when the drive and steer functions will move opposite controller movements.

Improved Turntable Rotation

The new ring and pinion swing chassis drive eliminates problems associated with the traditional worm gear drives. Includes a turntable rotation lock for mechanical locking during equipment transport.

Ground Controls

Now positioned beside the hydraulic manifold, away from the engine exhaust system and at eye level.

Safety in Sight

All instructional and safety decals are straightforward and conveniently located to be clearly visible.



Maintenance Made Easy

The engine tray swings out 50° for complete accessibility during routine maintenance and repairs.

Rotating Manifold

Function manifold rotates out for easy access to all sides.

Fewer Parts Overall

Reduced parts count means increased commonality among Z-45/25 models and fewer service requirements.

Reach

The 15.5 m (51 ft) working height, outreach of 7.3 m (24 ft) – for both Z-45/25 and Z-45/25J models – and up and over clearance of over 6.7 m (22 ft) lets you reach higher and farther than ever before.

Increased Strength

Larger, stiffer primary boom and extension tubes offer increased strength and durability. Improved cable track includes box tube support combined with a wider plastic track.

WORLD



Z-45/25 RT
Z-45/25J RT

Easy Going in Rough Terrain

Negotiate tough job sites effortlessly with the Z-45/25. The terrain-tracking active oscillation axle system (optional on 4x2 models) automatically senses the terrain and adjusts the front axle oscillation based on ground conditions. Rugged, 91 cm (36 in) tyres and independent rear wheel spring-applied brakes increase handling capabilities in harsh conditions. A new traction control system improves power distribution to tyres by 50%. The Z-45/25 also features a minimum 28 cm (11 in) axle ground clearance.

Standard Features

- Over 15.5 m (51 ft) of working height
- Over 7.3 m (24 ft) horizontal reach
- Up and over clearance of over 6.7 m (22 ft)
- 1.37 m (4 ft 6 in) turning radius
- 45 second lift speed to full height
- 227 kg (500 lb) lift capacity
- Oscillating axle on 4x4 models
- Dual fuel (Gas/LPG) or diesel engine options
- Fully proportional controls
- 180° hydraulic platform rotation on Z-45/25 models
- 160° hydraulic platform rotation on Z-45/25J models
- 12V DC auxiliary power unit

- Drive enable system
- End mount platform on Z-45/25J models
- Tilt alarm
- Horn
- Hour meter

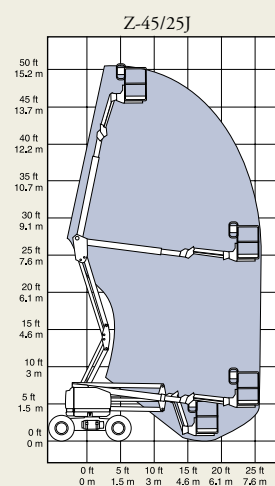
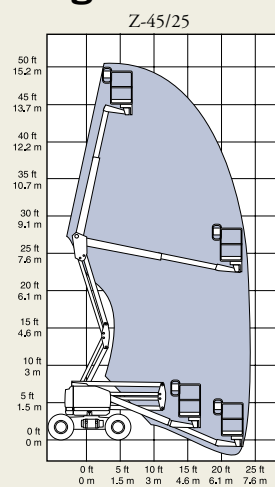
Options and Accessories

- Two- or four-wheel drive
- Oscillating or non-oscillating axle on 4x2 models
- Alarm package
- Cold start packages
- 2000, 2500 or 3000 watt AC generator
- 1.22 or 1.52 m (4 or 5 ft) steel platforms
- Platform swing gate
- Air line to platform
- Full rail platform pinch guard
- Lift/drive selector
- Platform work light
- Platform control box cover
- Hostile environment package
- GS/LPS rating for Ford engine-powered machines
- Rough terrain foam tyres

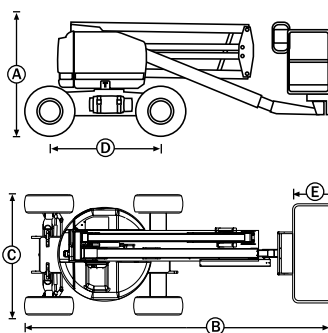
Standards Compliance

- ANSI/SIA A92.5
- CSA CAN3-B354.4-M82
- CE compliance option
- AS 1418.10

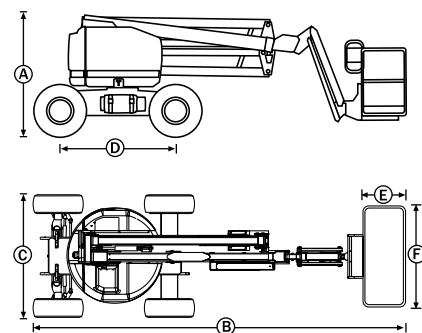
Range of Motion



Z-45/25



Z-45/25J



Specifications

	Z-45/25		Z-45/25J	
	Metric	US	Metric	US
Working height	15.75 m	51 ft 8 in	15.7 m	51 ft 6 in
Platform height	13.9 m	45 ft 8 in	13.9 m	45 ft 6 in
(A) Height - stowed	2.08 m	6 ft 10 in	2.08 m	6 ft 10 in
(B) Length - stowed	5.5 m	18 ft	6.8 m	22 ft 3 in
(C) Width	2.24 m	7 ft 4 in	2.24 m	7 ft 4 in
(D) Wheelbase	2.03 m	6 ft 8 in	2.03 m	6 ft 8 in
Ground clearance - centre	33 cm	13 in	33 cm	13 in
Ground clearance - min	25 cm	10 in	25 cm	10 in
(E) Platform length	76 cm	30 in	76 cm	30 in
(F) Platform width	1.83 m	72 in	1.83 m	72 in
Horizontal reach max	7.5 m	24 ft 6 in	7.7 m	25 ft 3 in
Up and over clearance	6.9 m	22 ft 9 in	7.2 m	23 ft 8 in
Lift capacity	227 kg	500 lb	227 kg	500 lb
Turning radius - inside	1.37 m	4 ft 6 in	1.37 m	4 ft 6 in
Turntable rotation	359°		359°	
Turntable tailswing	zero		zero	
Platform rotation	180°		160°	
Power source	Ford LRG 425 EFI Gas/LPG 61 kw (82 hp) Deutz Diesel F3L 1011 27 kw (36 hp)			
Drive speed - stowed	7.7 km/h	4.8 mph	7.7 km/h	4.8 mph
Drive speed - raised	1 km/h	0.6 mph	1 km/h	0.6 mph
Lift speed to full height	45 sec		45 sec	
Controls	12V DC proportional		12V DC proportional	
Auxiliary power unit	12V DC		12V DC	
Tyres	14-17.5		14-17.5	
Gradeability - 4x4	45%		45%	
Gradeability - 4x2	30%		30%	
Hydraulic tank capacity	95 litre	25 gal	95 litre	25 gal
Fuel tank capacity	64 litre	17 gal	64 litre	17 gal
Weight - 4x4	6,350 kg	14,000 lb	6,668 kg	14,700 lb
Weight - 4x2	6,260 kg	13,800 lb	6,577 kg	14,500 lb

Distributed By:

Genie Industries

GENIE AUSTRALIA
591 Boundary Road
Darra Qld 4076
P.O. Box 394
Richlands Qld 4077
Telephone **07 3375 1660**
Fax 07-3375-1002
<http://www.genielift.com>

GENIE UNITED STATES
18340 NE 76th Street
P.O. Box 97030
Redmond, Washington 98073-9730
Telephone **(425) 881-1800**
Toll Free in USA/Canada **800-536-1800**
Fax (425) 883-3475
<http://www.genielift.com>

GENIE UNITED KINGDOM
Brunel Drive, Newark
Nottinghamshire NG24 2EG
England
Telephone **(44) 01636-614700**
Fax (44) 01636-611090
<http://www.genielift.com>