



**Narrow
Self-Propelled
Articulating
Boom**

Z-34/22N

The narrow
access solution.



Genie Industries

Reasons to make the Z-34/22N your access solution.

- **Ideal for confined work spaces**—the Z-34/22N is only 147.3 cm (58 in) wide and has zero tailswing.
- **Rolls through standard double doorways.** The Z-34/22N narrow boom works both indoors and outdoors with emission-free, noise-free electric drive.
- A standard **1.2 m (4 ft) jib boom with 147° range of motion** operates above or below horizontal throughout the full boom range of motion.
- The combination of **12.3 m (40 ft 4 in) working height, 6.8 m (22 ft 4 in) outreach and up and over clearance of 4.6 m (15 ft 3 in)** provides the most versatile range of motion in its class.
- **160° powered platform rotation** allows easy operation and precise platform positioning.
- **Compact storage length** of 4.2 m (13 ft 9 in) and width of 147.3 cm (58 in).
- **Dual parallelogram riser design** allows ascent and descent along a vertical plane without retracting or extending the boom.

Standard Features

- 12.3 m (40 ft 4 in) working height
- 6.8 m (22 ft 4 in) horizontal reach
- Compact 1.47m (58 in) width
- Articulating jib features 147° working range
- 226.8 kg (500 lb) lift capacity
- 48V DC power source
- Self-levelling platform
- Proportional drive and lift
- 160° platform rotation
- Drive enable system
- Hour meter

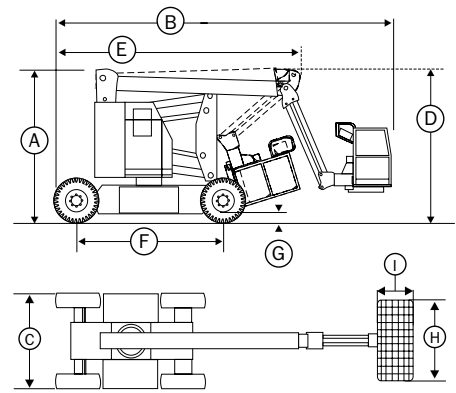
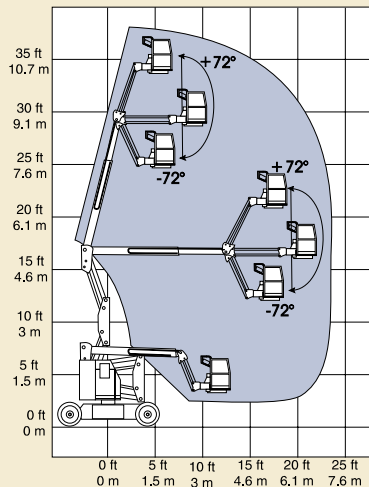
Options and Accessories

- Alarm package
- Non-marking tyres
- Battery charge indicator
- Lift/drive select
- Platform swing gate
- Air line to platform
- LVI (low voltage interrupt) with BCI (battery charge indicator)

Standards Compliance

- ANSI/SIA A92.5
- CSA CAN3-B354.4-M82
- CE compliance option
- AS 1418.10

Range of Motion



Specifications

	Metric	US
Working height max	12.3 m	40 ft 4 in
Platform height max	10.5 m	34 ft 4 in
Ⓐ Height - stowed	2 m	6 ft 7 in
Ⓑ Length - stowed	5.7 m	18 ft 7 in
Ⓒ Width	1.47 m	58 in
Ⓓ Storage height	2.3 m	89 in
Ⓔ Storage length	4.2 m	13 ft 9 in
Ⓕ Wheelbase	1.9 m	6 ft 2 in
Ⓖ Ground clearance	14.6 cm	5 3/4 in
Ⓗ Platform width	1.42 m	56 in
Ⓘ Platform length	76.2 cm	30 in
Horizontal reach max	6.8 m	22 ft 4 in
Up and over clearance	4.6 m	15 ft 3 in
Lift capacity	226.8 kg	500 lb
Turning radius (outside)	3.9 m	12 ft 9 in
Turning radius (inside)	1.8 m	6 ft
Turntable rotation	355°	355°
Tailswing	zero	
Platform rotation	160°	160°
Power source	8 group - 4H (6V 315 AH batteries)	
Drive speed - stowed		
35:1 torque hubs	0-5.5 km/h	0-3.4 mph
49:1 torque hubs	0-4.5 km/h	0-2.8 mph
Drive speed - raised	0-0.97 km/h	0-0.6 mph
Controls	proportional drive and lift	
Tyres (solid rubber: non-marking)	55.9x17.8x45.1cm treaded	22x7x17 3/4 in treaded
Gradeability		
35:1 torque hubs	20%	20%
49:1 torque hubs	25%	25%
Hydraulic tank capacity	18.93 litre	5 gal
Weight	5,216 kg	11,500 lb

*In lift mode (platform raised), the machine is designed for operation on firm level surfaces only.

Distributed By:

Genie Industries

GENIE AUSTRALIA

591 Boundary Road, Darra Qld 4076
 PO Box 394, Richlands Qld 4077
 Telephone **07 3375 1660**
 Fax 07 3375 1002
www.genielift.com

GENIE UNITED STATES

18340 NE 76th Street
 P.O. Box 97030
 Redmond, Washington 98073-9730
 Telephone **425 881 1800**
 Toll Free in USA/Canada **800 536 1800**
 Fax 425 883 3475 www.genielift.com