

**Narrow
Self-Propelled
Articulating
Boom**

**Z-30/20N
Z-30/20N RJ**



○ Zero tailswing!
It works in tight
places.



Genie Industries

Compelling Reasons to Buy the Z-30/20N Boom

- Zero tailswing and zero front arm swing in stowed and raised working positions, along with its 1.2 m (47 in) wide chassis, make this boom the only one with **true narrow aisle access**.
- The 1.22 m (4 ft) jib boom has 144° range of motion, so **it can be positioned above or below horizontal**.
- Z-30/20N RJ has optional rotating jib that adds an industry-leading 200° of horizontal rotation.
- 180° powered platform rotation allows **precise platform positioning and easy operation**.
- The all-new Sep-Ex drive motors and controller provide automatic **hill braking and ramp braking**.

- The Sep-Ex drive system allows maximum drive performance resulting in **35% gradeability and 5.3 km/h travel speed**.
- The Sep-Ex motor controller **eliminates the need for forward/reverse contractors or speed sensors**. This reduces complexity and improves the reliability of the drive system.

Standard Features

- Compact 1.2 m (47 in) overall width
- 227 kg (500 lb) lift capacity
- Fully proportional controls
- 180° platform rotation
- Self-levelling platform
- Jib features 144° working range
- 48V DC power source
- Drive enable system
- Solid rubber, non-marking tyres
- Hour meter

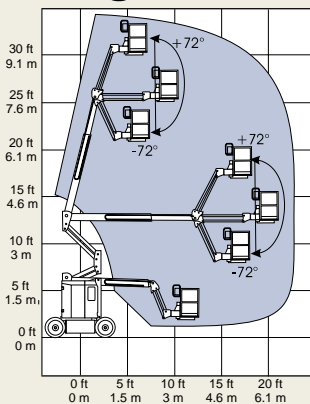
Options and Accessories

- Rotating jib, providing 200° of horizontal rotation
- Battery charge indicator
- Alarm package

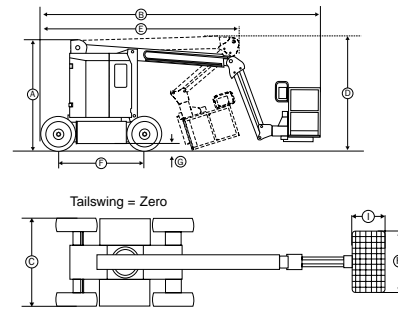
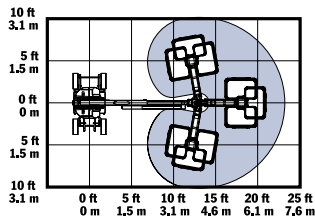
Standards Compliance

- ANSI/SIA A92.5
- CSA CAN3-B354.4-M82
- CE compliance option
- AS 1418.10

Range of Motion



Range of Motion for Rotating Jib



Specifications

	Z-30/20N		Z-30/20N RJ	
	Metric	US	Metric	US
Working height max	11 m	36 ft	10.6 m	34 ft 10 in
Platform height max	9.1 m	30 ft	8.8 m	28 ft 10 in
(A) Height – stowed	2 m	6 ft 7 in	2 m	6 ft 7 in
(B) Length – stowed	5.1 m	16 ft 9 in	5.3 m	17 ft 5 in
(C) Width	1.2 m	3 ft 11 in	1.2 m	3 ft 11 in
(D) Storage height	2.08 m	6 ft 10 in	2.24 m	7 ft 4 in
(E) Storage length	3.5 m	11 ft 6 in	3.76 m	12 ft
(F) Wheelbase	1.57 m	5 ft 2 in	1.57 m	5 ft 2 in
(G) Ground clearance	9 cm	3½ in	9 cm	3½ in
(H) Platform width	1.17 m	46 in	1.17 m	46 in
(I) Platform length	76 cm	30 in	76 cm	30 in
Horizontal reach max	6.4 m	21 ft	6.3 m	20 ft 8 in
Up and over clearance	3.8 m	12 ft 6 in	3.8 m	12 ft 6 in
Lift capacity	227 kg	500 lb	227 kg	500 lb
Turning radius (outside)	3 m	9 ft 10 in	3 m	9 ft 10 in
Turning radius (inside)	1.65 m	5 ft 5 in	1.65 m	5 ft 5 in
Turntable rotation	359°		359°	
Tailswing	zero		zero	
Power source	48V (8 6V 350 AH batteries)			
Drive speed – stowed	0-5.3 km/h	0-3.3 mph	0-5.3 km/h	0-3.3 mph
Drive speed – raised *	0-1 km/h	0-0.6 mph	0-1 km/h	0-0.6 mph
Controls	proportional		proportional	
Platform rotation	180°		180°	
Tyres (solid rubber, non-marking)	56 x 18 x 46 cm 22 x 7 x 18 in (both models)			
Auxiliary power unit	standard (electric)		standard (elec- tric)	
Gradeability	35%		35%	
Hydraulic tank capacity	15 litre	4 gal	15 litre	4 gal
Weight	6,577 kg	14,500 lb	6,622 kg	14,600 lb

* In lift mode (platform raised), the machine is designed to operate on firm, level surfaces only.

Distributed By:

Genie Industries

GENIE AUSTRALIA
591 Boundary Road
Darra Qld 4076
P.O. Box 394
Richlands Qld 4077
Telephone **07 3375 1660**
Fax 07 3375 1002
<http://www.genielift.com>

GENIE UNITED STATES
18340 NE 76th Street
P.O. Box 97030
Redmond, Washington 98073-9730
Telephone **(425) 881-1800**
Toll Free in USA/Canada **800-536-1800**
Fax (425) 883-3475
<http://www.genielift.com>

GENIE UNITED KINGDOM
Brunel Drive, Newark
Nottinghamshire NG24 2EG
England
Telephone **(44) 01636-614700**
Fax (44) 01636-611090
<http://www.genielift.com>