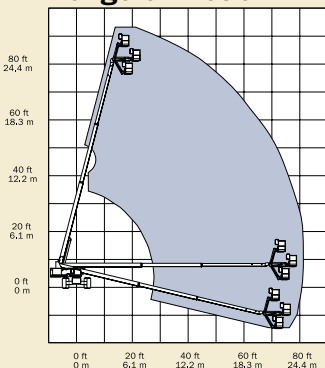


Standard Features

- S-80 has 26.4 m (86 ft) working height
- S-85 has 27.9 m (91 ft) working height
- S-80 has 21.9 m (72 ft) horizontal reach
- S-85 has 23.4 m (77 ft) horizontal reach
- Up to 272 kg (600 lb) lift capacity on the S-80
- 227 kg (500 lb) lift capacity on the S-85
- Extendable axles operated from the platform
- Dual extended cylinders
- Dual fuel (Gas/LPG) or diesel engine options
- Fully proportional platform controls with ramp up/down feature
- Hydraulic platform rotation
- 360° continuous turntable rotation

- 12V DC auxiliary power
- Fuel select switch on platform and ground control panels (Gas/LPG models)
- Closed-loop hydrostatic drive
- Positive traction drive
- Drive enable system
- Self-levelling platform
- Rough terrain air tyres
- Locking turntable covers
- Anti-restart engine protection
- Auto engine fault shutdown
- AC wiring to platform
- Hydraulic oil cooler
- Wire braided hose
- Tilt alarm
- Horn
- Hour meter

Range of Motion

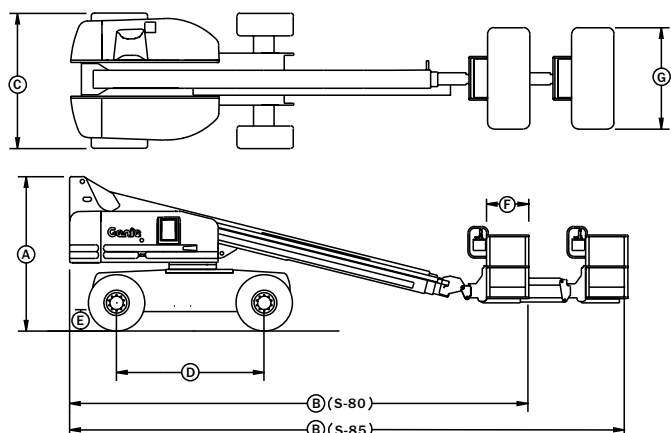


Options and Accessories

- Alarm package
- Cold start packages
- 3500 watt AC generator
- 2.44 m (8 ft) steel platform
- 340 kg (750 lb) lift capacity option on the S-80
- Platform swing gate
- Air line to platform
- Platform rail pinch guard
- Platform work lights
- Lockable platform control box cover
- Tool tray
- Fluorescent tube caddy
- Hostile environment packages
- LPG tank
- GS/LPS rating for GM engine powered machines
- Rough terrain foam-filled tyres
- Driving lights
- Pipe cradle

Standards Compliance

- ANSI/SIA A92.5
- CAN3-B354.4-M82
- CE compliance option
- AS 1418.10



Specifications

| Model | S-80 | | S-85 | |
|---------------------------------|--|------------|---------------------|------------|
| | Metric | US | Metric | US |
| Working height max* | 26.4 m | 86 ft | 27.9 m | 91 ft |
| Platform height max | 24.4 m | 80 ft | 25.9 m | 85 ft |
| (A) Height - stowed | 2.8 m | 9 ft 2 in | 2.8 m | 9 ft 2 in |
| (B) Length - stowed | 11.2 m | 36 ft 8 in | 12.4 m | 40 ft 7 in |
| (C) Width axles retracted | 2.43 m | 8 ft | 2.43 m | 8 ft |
| Width axles extended | 3.04 m | 10 ft | 3.04 m | 10 ft |
| (D) Wheelbase | 2.74 m | 9 ft | 2.74 m | 9 ft |
| (E) Ground clearance | 28 cm | 11 in | 28 cm | 11 in |
| (F) Platform length: | | | | |
| 1.83 m (6 ft) | 76 cm | 30 in | 76 cm | 30 in |
| 2.43 m (8 ft) | 91 cm | 36 in | 91 cm | 36 in |
| (G) Platform width: | | | | |
| 1.83 m (6 ft) | 1.83 m | 72 in | 1.83 m | 72 in |
| 2.43 m (8 ft) | 2.44 m | 96 in | 2.44 m | 96 in |
| Horizontal reach max | 21.9 m | 72 ft | 23.4 m | 77 ft |
| Lift capacity | | | | |
| 1.83 m (6 ft) platform | 272 kg | 600 lb | 227 kg | 500 lb |
| Lift capacity | | | | |
| 2.43 m (8 ft) platform | 227 kg | 500 lb | 227 kg | 500 lb |
| Turning radius - outside | 7 m | 23 ft | 7 m | 23 ft |
| Turning radius - inside | 3.24 m | 10 ft 8 in | 3.24 m | 10 ft 8 in |
| Turntable rotation | 360° continuous | | 360° continuous | |
| Turntable tailswing | 1.13 m | 3 ft 8 in | 1.13 m | 3 ft 8 in |
| Power source | GM 3.0L Gas/LPG 60 kw (80 hp) Deutz Diesel F4L 913 57 kw (77 hp) Perkins Diesel 704-30 47 kw (63 hp) | | | |
| Controls | 12V DC proportional | | 12V DC proportional | |
| Platform rotation | 160° | | 160° | |
| Auxiliary power unit | 12V DC | | 12V DC | |
| Tyres | 15-22.5 SAT | | 15-22.5 SAT | |
| Drive speed, stowed | 5.3 kph | 3.3 mph | 5.3 kph | 3.3 mph |
| 4x4 models | | | | |
| Drive speed, raised or extended | 1.1 kph | 0.68 mph | 1.1 kph | 0.68 mph |
| Gradeability, stowed | 45% | | 45% | |
| 4x4 models | | | | |
| Hydraulic tank capacity | 170 litres | 45 gal | 170 litres | 45 gal |
| Fuel tank capacity | 125 litres | 33 gal | 125 litres | 33 gal |
| Weight** | 16,001 kg | 35,277 lb | 17,118 kg | 37,740 lb |

* The metric equivalent of working height adds 2 m to platform height. U.S. adds 6 ft to platform height.
** Weight will vary depending on options and/or country standards.



Self-Propelled Telescopic Booms

The ultimate
in reach,
performance
and range.



Distributed By:

Genie Industries

GENIE AUSTRALIA

591 Boundary Road
Darra Qld 4076
P.O. Box 394
Richlands Qld 4077
Telephone **07 3375 1660**
Fax 07 3375 1002
<http://www.genielift.com>

GENIE UNITED STATES

18340 NE 76th Street
P.O. Box 97030
Redmond, Washington 98073 9730
Telephone **(425) 881-1800**
Toll Free in USA/Canada **800-536-1800**
Fax (425) 883-3475
<http://www.genielift.com>

GENIE UNITED KINGDOM

The Maltings, Wharf Road
Grantham Lincolnshire
NG31 6BH England
Telephone: **+44 (0)1476 584333**
Fax: +44 (0)1476 584334
<http://www.genielift.com>

Get the greatest reach and versatility with our unique jib option.

Genie's stick boom family includes faster lift speed, a more powerful engine, a stiffer mast and updated styling. Choose the Genie S-80 Boom, with 26.4 m (86 ft) of working height, or the S-85, with an additional 1.52 m (5 ft) articulating jib boom. Customise your boom with many option packages.



Terrain Tracking Active Oscillation System

This revolutionary system automatically senses the terrain and adjusts the front axle oscillation based on ground conditions. The system maximises four point contact with the ground for improved traction and an amazingly smooth ride.

Standard Features

Powerful Engines

The enhanced performance engines are stronger and more powerful. In demanding conditions the power is there. With normal duty, longer engine life.

Proportional Controls

Allow smooth operation and easy positioning.

160° Hydraulic Platform Rotator

Gives you precise placement without repositioning the boom.

Easily Accessible Components

The swing-out engine tray, clear access to hydraulic components and easy-to-understand electrical system simplify routine maintenance.

Positive Traction Drive

Full time 4 wheel drive and full time positive traction in both high and low drive speeds.

Drive Enable System

Informs operator when the drive and steer functions will move opposite the controller movements.

Low-Profile Chassis Covers

Provide high visibility for the operator while unit is in stowed position.

Platform Controls

Large, simple-to-use controls for easy operation.

Transportability

The S-80 and S-85 are designed to load and unload easily from transport vehicles.

Drive and Extend Axles

Extendable axles operate from the platform. Setup is one step. Simply activate extend function while driving the machine and the axles automatically extend, lock in place and enable platform elevation.

Fast and Efficient Lift Speed

The capability to operate multiple functions simultaneously results in maximum lift speed. The S-80 elevates from the ground to full height in just 80 seconds.



Easily customised to meet your needs:

Engine Options

- GM 3.0L Gas/LPG 60 kw (80 hp)
- Deutz Diesel F4L 913 57 kw (77 hp)
- Perkins Diesel 704-30 47 kw (63 hp)

Platform Options

- Standard: Steel 1.83 m (6 ft)
- Optional: Steel 2.44 m (8 ft)



S-85 Out-and-Up Articulating Jib Boom

This special option gives you an additional 1.52 m (5 ft) of horizontal reach for a total of 23.4 m (77 ft). The S-85 jib gives you flexibility too – 135° of working range. You not only access 75° above horizontal, but you can get to 60° below horizontal.