

GENIE RUNABOUT

Genie®
A TEREX COMPANY



RUNABOUT COMPACT SOLUTIONS



STANDARD FEATURES

Productivity

GR-20 reaches working heights up to 8.07 m (25 ft 11 in) and lifts 159 kg (350 lbs). GR-12 and GR-15 have a lift capacity of 227 kg (500 lbs)

Rigid Mast

The Runabout™ features Genie's patented mast system with high-strength interlocking aluminium mast sections and heavy-duty lifting chains

Compact Base

Narrow 75 cm (29.5 in) to 80 cm (31.5 in) width and 1.35 m (53 in) length allow unit to fit in most passenger lifts and roll through standard doors

Accessibility

Low 38 cm (15 in) entry height allows operators to enter the platform easily

Platform Controls

Compact controller is easy to operate and equipped with onboard diagnostics and battery indicator

Proportional Drive and Lift Controls

Delivers a smooth ride

Steering System

Provides zero inside turning radius for maximum manoeuvrability

Serviceability

Hinged rear covers allow easy access to all major electrical and hydraulic components

Forklift Pockets

Larger 6.4 x 13 cm (2.5 x 5.1 in) pockets provides for easy transport by any forklift

Warning Devices

Alarm sounds on descent and if tilted
Motion alarm and flashing beacon package

OPTIONS AND ACCESSORIES

- Stock Picker platform with adjustable tray
- Rear parcel tray (Stock Picker 12 and 15 only)
- Extension platform
- Maintenance-free battery
- Automotive horn
- Fluorescent tube caddy

STANDARDS COMPLIANCE

- CE Compliance option
- Fully certified load sensor (EN280)

Genie
A TEREX COMPANY

www.genieindustries.com

Genie Australia

591 Boundary Road, Darra Qld 4076
PO Box 394, Richlands Qld 4077
Telephone 07 3375 1660
Toll Free in Australia 1800 331 660
Fax 07 3375 1002
<http://www.genieindustries.com>

Genie United States

18340 NE 76th Street
P.O. Box 97030
Redmond, Washington 98073-9730
USA
Tel: +1 425 881-1800
Fax: +1 425 883-3475

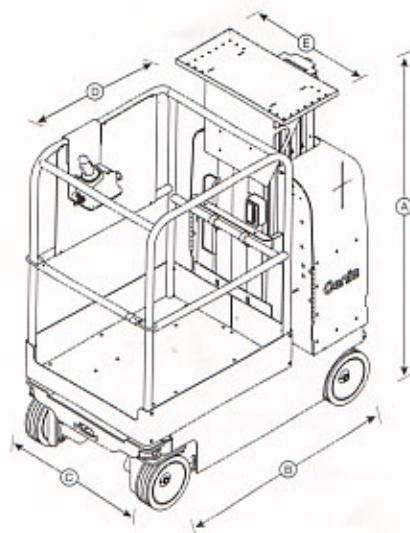
RUNABOUT™

Specifications	GR-12		GR-15		GR-20	
	Metric	U.S.	Metric	U.S.	Metric	U.S.
Working Height	5.48 m	17 ft 5 in	6.47 m	20 ft 8 in	8.07 m	25 ft 11 in
Platform Height	3.48 m	11 ft 5 in	4.47 m	14 ft 8 in	6.07 m	19 ft 11 in
(A) Height (stowed)	1.57 m	5 ft 2 in	1.57 m	5 ft 2 in	1.96 m	6 ft 6 in
(B) Length (stowed)	1.35 m	4 ft 5 in	1.35 m	4 ft 5 in	1.35 m	4 ft 5 in
(C) Width	75 cm	2 ft 5.5 in	75 cm	2 ft 5.5 in	80 cm	2 ft 7.5 in
(D)(E) Platform Dimensions (l x w)						
Standard platform	88 x 75 cm	35 x 29.5 in	(same for all models)			
Standard platform with extension	1.4 m x 75 cm	55 x 29.5 in	(same for all models)			
Stock Picker platform	88 x 73 cm	35 x 28.8 in	(same for all models)			
Stock Picker platform with adjustable tray	1.4 m x 73 cm	56 x 28.8 in	(same for all models)			
Lift Capacity	227 kg	500 lbs	227 kg	500 lbs	159 kg	350 lbs
Ground Clearance	6.35 cm	2.5 in	6.35 cm	2.5 in	6.35 cm	2.5 in
Drive Speed (stowed)	4.0 km/h	2.5 mph	4.0 km/h	2.5 mph	4.0 km/h	2.5 mph
Drive Speed (raised)	0.8 km/h	0.5 mph	0.8 km/h	0.5 mph	0.8 km/h	0.5 mph
Gradeability*	30%		30%		30%	
Turning Radius-inside	Zero		Zero		Zero	
Controls	12 V proportional controls		12 V proportional controls		12 V proportional controls	
Tyres	Non-marking tyres		Non-marking tyres		Non-marking tyres	
Power Source	4 batteries, 6 V 225 Ah batteries		4 batteries, 6 V 225 Ah batteries		4 batteries, 6 V 225 Ah batteries	
Hydraulic System Capacity	8.33 L	2.2 gal	8.33 L	2.2 gal	8.33 L	2.2 gal
Weight**	717 kg	1,581 lbs	994 kg	2,192 lbs	1,111 kg	2,451 lbs

*Gradeability applies to driving on slopes. See operators manual for details regarding slope rating.
**Weight will vary depending on options and/or country standards.



SERVICEABILITY



For further information, please contact your local distributor or the Genie Industries sales office listed. Continuous improvement of our products is a Genie policy. Product specifications are subject to change without notice or obligation. The photographs and drawings in this brochure are for illustrative purposes only. Refer to the appropriate Operator's Manual for instructions on the proper use of this equipment. Failure to follow the appropriate Operator's Manual when using our equipment or to otherwise act irresponsibly may result in serious injury or death. Prices and specifications subject to change without notice. The only warranty applicable is the standard written warranty applicable to the particular product and sale. Genie makes no other warranty, expressed or implied. Products and services listed may be trademarks, service marks or trade-names of TEREX Corporation and/or its subsidiaries in the USA and other countries and all rights are reserved. Copyright ©2005 Genie Industries, Inc. "Genie" is a Registered Trademark of Genie Industries, Inc. in the USA and many other countries. Genie is a TEREX Company. Part No B10300UK. Effective date 04 /05.