



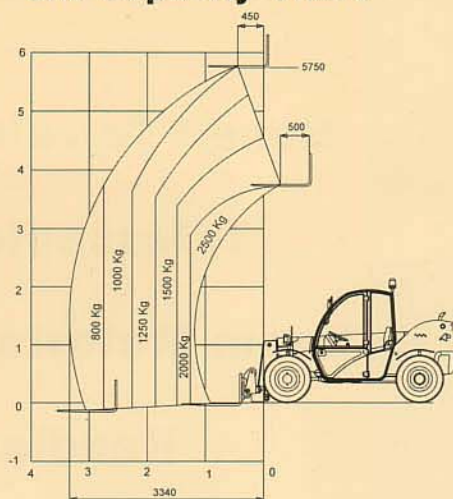
**Rough Terrain  
Telescopic  
Boom Material  
Handler**

**GTH™ -2506**

A compact and highly manoeuvrable machine designed for a wide range of applications



## Lift Capacity Chart



### Standard Features

- 2,500 kg (5,511 lbs) lift capacity (max.)
- 5.75 m (18 ft 10 in) lifting height (max.)
- 3.34 m (10 ft 11½ in) forward reach (max.)
- 360° visibility over the boom
- Closed loop hydrostatic drive for smooth and precise positioning
- Multi-function joystick control for boom up & down/fork levelling
- Brakes: Multi-disk, oil immersed, self-adjusting, on front axle
- Powered assisted steering
- Four-wheel drive
- Three drive modes: 2-wheel, 4-wheel and crab.
- Attachment holder plate with hydraulic coupling
- Quick coupling of tools from cab
- FEM 2 floating forks
- Side-mounted engine for easy access to components
- Comfortable cab with suspended seat, tinted glass, windscreen wiper, heater.
- Full road lights
- Easy access to components

### Options and Accessories

- Air conditioning
- Forks side-shift FEM 2 +/- 150mm
- Loading shovel 500 Lt
- Spare wheel
- Brick-holder bucket
- Windshield protection grid
- Jib 2 m/400 kg
- Adjustable spotlight
- Fixed hook on plate (2,300 kg)
- Concrete mixing bucket 250 Lt
- 500 Lt concrete bucket

A wide range of options, accessories and attachments is available for civil and industrial works. For a full list, please contact your Genie representative.

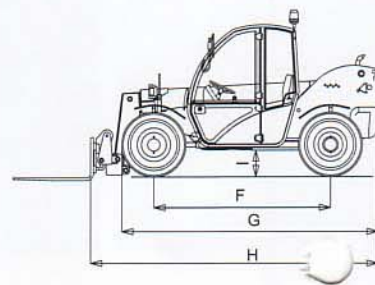
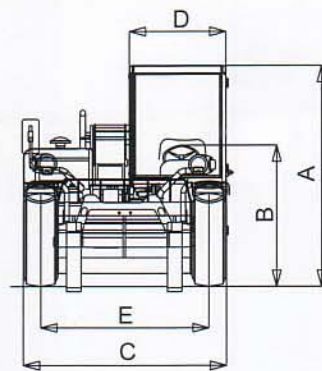
### Safety System

- Longitudinal stability control system with: visual display with coloured LEDs, audible alarm, automatic lockout of boom extension and lowering.
- Protection against accidental manoeuvres.

### Standard Compliance

- Operating cab, conforms to EEC directives 86/295 (ROPS) and 86/296 (FOPS)
- Low emission engine conforms to UE 97/68 directives

(A)	Height: 1.92 m (6 ft 4 in)
(B)	Height at steering wheel: 1.23 m (4 ft 5 in)
(C)	Width: 1.80 m (5 ft 9 in)
(D)	Inside cab width: 0.86 m (2 ft 10 in)
(E)	Track: 1.50 m (4 ft 11 in)
(F)	Wheelbase: 2.28 m (7 ft 6 in)
(G)	Length at front wheels: 3.31 m (10 ft 10 in)
(H)	Length at fork-holder plate: 3.72 m (12 ft 2 in)
(I)	Ground clearance: 36 cm (1 ft 2 in)



### Specifications

	Metric	Imperial
Lift capacity (max.)	2,500 kg	5,511 lbs
Lift capacity at max. height	1,250 kg	2,755 lbs
Lift capacity at max. reach	800 kg	1,763 lbs
Lifting height (max.)	5.75 m	18 ft 10 in
Reach at max. height	0.45 m	17 ½ in
Maximum forward reach	3.34 m	10 ft 11 ½ in
Lifting speed	6 sec	6 sec
Lowering speed	3.5 sec	3.5 sec
Extension Speed	6 sec	6 sec
Retraction Speed	3.5 sec	3.5 sec
Inside/outside turning radius	1680mm/3345mm	6 ft 6 in/11 ft
Towing capacity at dynamometer	4,650 kg	10,251 lbs
Obstruction angle	90°	90°
Departure angle	70°	70°
Engine Type	Deutz F4M 2011 Diesel	47 KW (63 hp)
Maximum travel speed	24 km/h	15 mph
Tank capacities		
Fuel	60 Lt	13 gal
Engine oil	8 Lt	1 ¾ gal
Hydraulic oil	70 Lt	15 gal
Fork holder plate rotation	135°	135°
Forks	FEM 2, length 1200 mm, section 130x35 mm	
Tyres	12-16.5PR8/ 8-hole wheel disk (DIN 70361)	
Weight	4,450 kg	9,810 lbs

## Genie Industries

### GENIE AUSTRALIA

591 Boundary Road, Darra Qld 4076  
 PO Box 394, Richlands Qld 4077  
 Telephone **07 3375 1660**  
 Toll Free in Australia **1800 331 660**  
 Fax 07 3375 1002  
<http://www.genieindustries.com>

### GENIE UNITED STATES

18340 NE 76th Street  
 P.O. Box 97030  
 Redmond, Washington 98073-9730  
 Telephone (425) **881-1800**  
 Toll Free in USA/Canada **800-536-1800**  
 Fax (425) 883-3475  
<http://www.genieindustries.com>